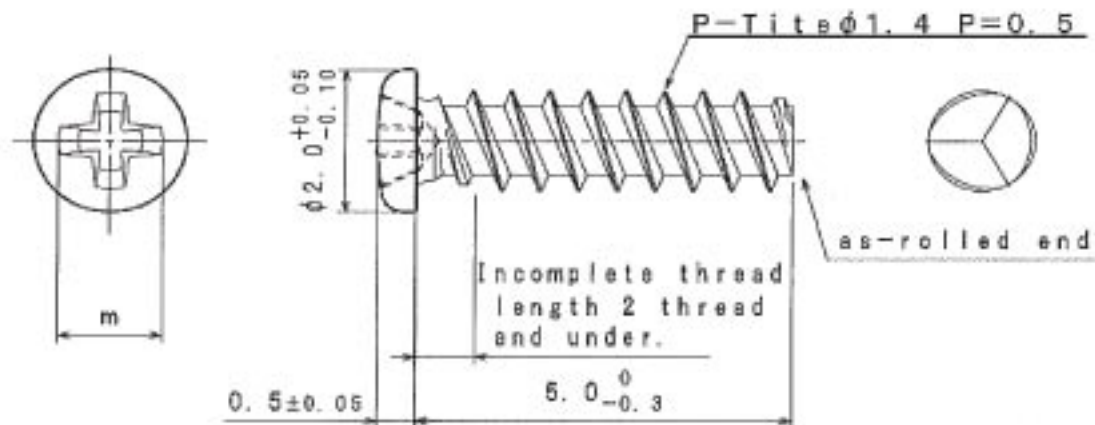
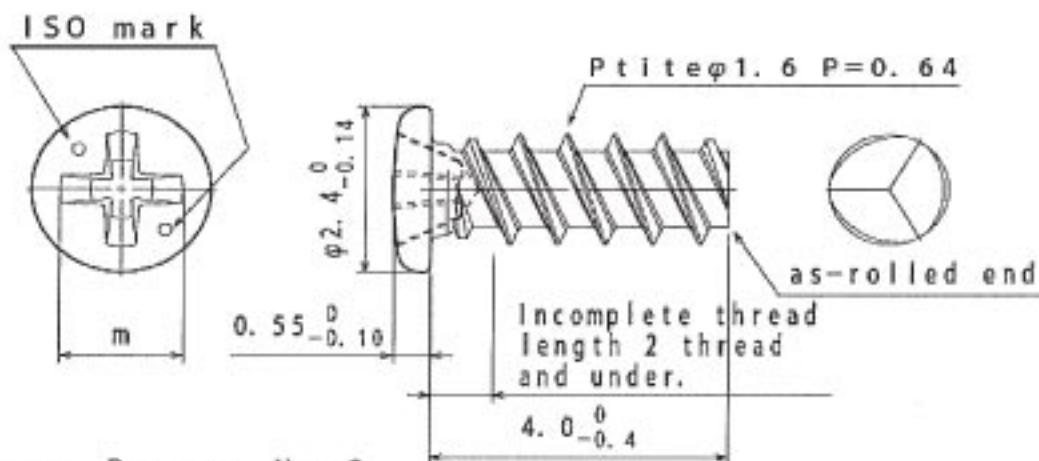


P-TITE $\phi 1.4 \times 5$ (Steel)Cross Recess No. 0m ref 1.55Q 0.51~0.74P-TITE $\phi 1.6 \times 5$ (Steel&Stainless)Cross Recess No. 0m (ref) 1.65Q 0.56~0.84

E.&O.E.

THE SPECIFICATION ARE SUBJECT TO CHANGE WITHOUT NOTICE